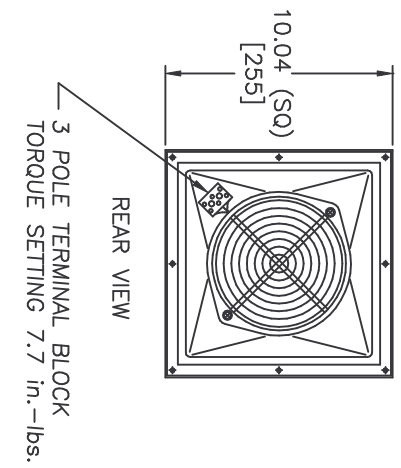
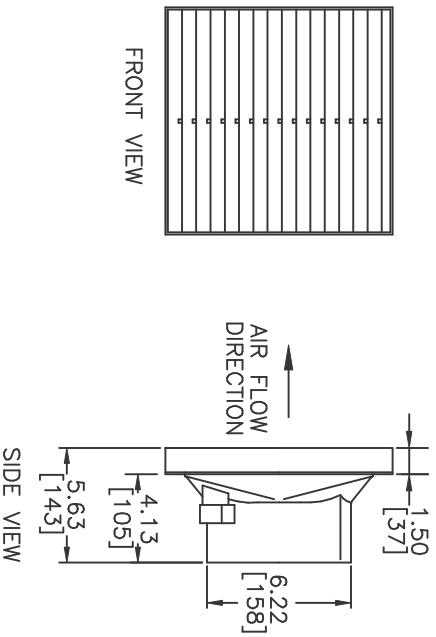
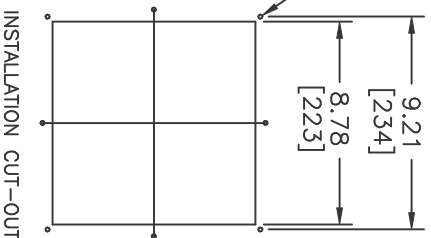


Distributed by: McLean Parts
 5736 N. Michigan Rd
 Indianapolis, IN 46228
 317-257-6811
 fax 317-257-1590
 www.mcleanparts.com



REV	DESCRIPTION	DATE	BY	CHK
1	ADDED UL/CUL FILE NUMBER	EC094745 EC094701 EC094627	MKP	DN
2	ADDED COLOR TO SPECS.	9-18-01	MKP	DN

MODEL NUMBER	VOLTAGE	HZ	PHASE	AMPS (50/60)	POWER CONSUMPTION	MOTOR RPM (50/60)	LOW F/°C	HIGH F/°C	SHIPPING WEIGHT Lbs/Kgs
FF-1016-003	115	50/60	1	.53/.50	40 W	2800/3250	14/-10	131/55	4.39/1.99



- SPECS:
- FILTER MEDIA TO BE RUBSAMEN P/N P15/350S.
(APW McLEAN P/N 10-1000-62)
 - CE APPROVED, UL/CUL FILE 165154.
 - FAN ASSY TO BE BLACK TO MATCH 99-9100-00 BA
AIRFLOW AT 60 HZ.
 - UNIMPEDED AIRFLOW: 160 CFM.
 - WITH (1) EXHAUST GRILLE: 135 CFM.
 - WITH (2) EXHAUST GRILLES: 141 CFM.
 - MOUNTING HARDWARE INCLUDED.

ATTENTION:
 THIS DRAWING AND THE INFORMATION IT CONTAINS ARE THE EXCLUSIVE PROPERTY OF APW McLEAN. ANY UNAUTHORIZED USE, DISCLOSURE, OR REPRODUCTION WITHOUT THE EXPRESS WRITTEN CONSENT OF APW McLEAN IS PROHIBITED.

UNLESS OTHERWISE SPECIFIED DIMENSIONS ARE IN DECIMALS XX.X +/- .015 DECIMALS X +/- .05 ANGULAR +/- 1 DEGREE	DRAWN	DATE
MKP	11-22-00	
BU	12/12/00	
PROJECT ENG.	DATE	
APPROVED	DATE	

CADFILE: FF1003

TITLE: FILTER FAN, FF-10

SCALE: NONE

SIZE B

SHEET: 1 OF 1

DWG. NO. FF-1003