

# INSTRUCTION MANUAL

## **T-Series™** **Air Conditioner** *T15 Model*



**McLean**®  
COOLING TECHNOLOGY

*A Pentair Company*

*Protecting Electronics.  
Exceeding Expectations.™*

MAI  
5736 North Michigan Road  
Indianapolis, IN 46228

# INSTRUCTION MANUAL

## TABLE OF CONTENTS

Receiving the Air Conditioner .....	1
Handling and Testing the Air Conditioner .....	1
Installation .....	2
Design Data, Model Drawing .....	3
Mounting Instructions .....	4
Components List .....	4
Wire Diagrams .....	5
Temperature Control .....	6
Principles of Operation .....	6
Maintenance .....	6
Trouble Shooting .....	8

NOTE: Some of the information in this manual may not apply if a special unit was ordered. If additional drawings for a special unit are necessary, they have been inserted. Contact McLean Cooling Technology if further information is required.

## **RECEIVING THE AIR CONDITIONER**

Inspect the air conditioner. Check for concealed damage that may have occurred during shipment. Look for dents, scratches, loose assemblies, evidence of oil, etc. Damage evident upon receipt should be noted on the freight bill. Damage should be brought to the attention of the delivering carrier -- NOT to McLean Cooling Technology -- within 15 days of delivery. Save the carton and packing material and request an inspection. Then file a claim with the delivering carrier.

McLean Cooling Technology cannot accept responsibility for freight damages; however, we will assist you in any way possible.

## **HANDLING & TESTING THE AIR CONDITIONER**

If it is necessary to place the air conditioner in a horizontal position after unpacking, be certain it is placed in an upright, vertical or mounting position for a minimum of five (5) minutes before operating.

Never attempt to operate the air conditioner while it is horizontal or on it's side, back or front. The refrigeration compressor is filled with lubricating oil. Running the compressor without oil in the lower part of the housing will cause permanent damage to the air conditioner. This also voids the warranty.

TEST FOR FUNCTIONALITY **BEFORE** MOUNTING THE AIR CONDITIONER TO THE ENCLOSURE.

Refer to nameplate for proper electrical current requirements, then connect power cord to a properly grounded power supply. Minimum circuit ampacity should be at least 125% of the amperage shown in the design data section for the appropriate model. No other equipment should be connected to this circuit to prevent overloading.

Operate the air conditioner for five (5) to ten (10) minutes. No excessive noise or vibration should be evident during this run period. The condenser blower (ambient air), the evaporator blower (enclosure air), and the compressor should be running.

Condenser air temperatures should be warmer than normal room temperatures within a few minutes.

The compressor is provided with automatic reset thermal overload protection. This thermo-switch is located and mounted inside the plastic enclosure clipped to the compressor. The switch operates when the compressor overheats due to clogged or dirty inlet air filter or if ambient air temperatures exceed nameplate rating or if enclosure dissipated heat loads exceed the rated capacity of the air conditioner. The thermal overload switch will actuate and stop compressor operation. The blowers will continue to operate and the compressor will restart after it has cooled to within the thermal overload cut-in temperature setting.

## INSTALLATION

Step 1: Inspect air conditioner. Verify functionality before mounting the air conditioner, see Handling & Testing the Air Conditioner on page 1.

Step 2: Using the cutout dimensions shown in this manual, prepare the air "IN" and air "OUT" openings, and mounting bolt hole pattern for the enclosure.

Step 3: Using the gasket kit provided, install gaskets to air conditioner.

Step 4: Mount air conditioner on enclosure using mounting bolts and screws provided. "EZ" mount tabs can be used to hold unit on enclosure while mounting in place. Allow unit to remain upright for a minimum of five (5) minutes before starting. Caution: Air conditioner must be in upright position during operation.

Step 5: When routing the drain tube, caution should be taken to keep it from kinking or being elevated above the exit point of the air conditioner. The drain tube must be on a continuous downward slope. A slight elevation of the tube could result in secondary trap. **FAILURE TO FOLLOW THESE INSTRUCTIONS COULD RESULT IN OVERFLOWING OF THE CONDENSATE DRAIN PAN.**

Step 6: Refer to top of nameplate for electrical requirements. Connect the power cord to a properly grounded power supply. Use of an extension cord is not recommended. Electrical circuit should be fused with slow blow or HACR circuit breaker.

# T15 Series

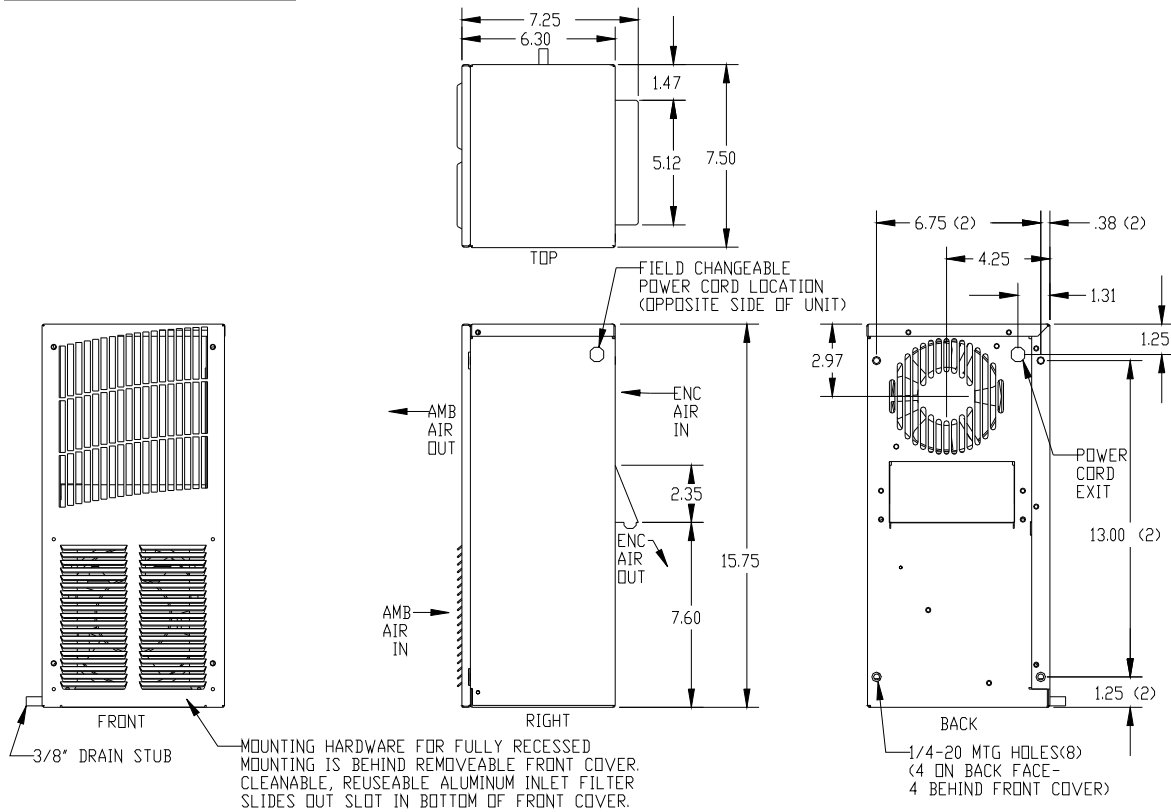
800-900 BTU/Hr. (235-264 Watts)

H x W x D: 15.75" (400) x 7.50" (191) x 6.30" (160)

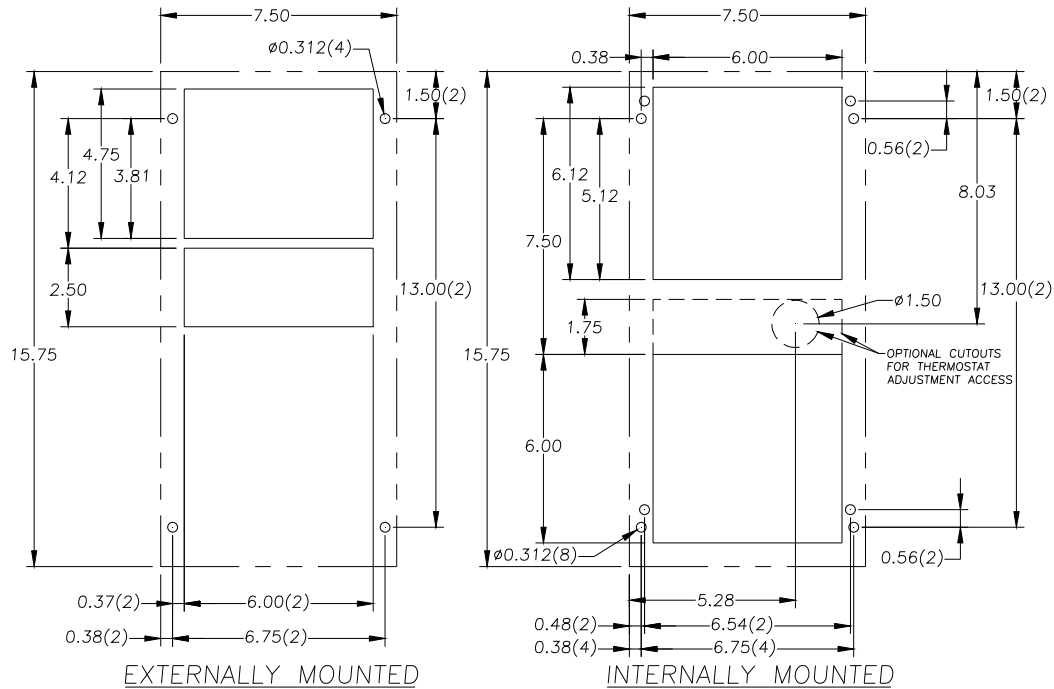
Model	Voltage	Hz	Full Load Amps	Phase	BTU/Hr @ Max Amb Temp	Max Amb Temp °F/°C	Shipping Weight Lbs/Kgs
T15-0116-GXXX	115	60	3.6	1	800	131/55	27/12.3
T15-0116-GXXX	100	50	3.8	1	800	125/52	27/12.3
T15-0126-GXXX	230	60	1.5	1	900	131/55	27/12.3
T15-0126-GXXX	220	50	1.4	1	800	125/52	27/12.3

-XXX will be replaced with a three-digit number designating all desired options. Consult the factory for specific model numbers.

## T15 Model Drawing



## T15 Mounting Cutout Dimensions



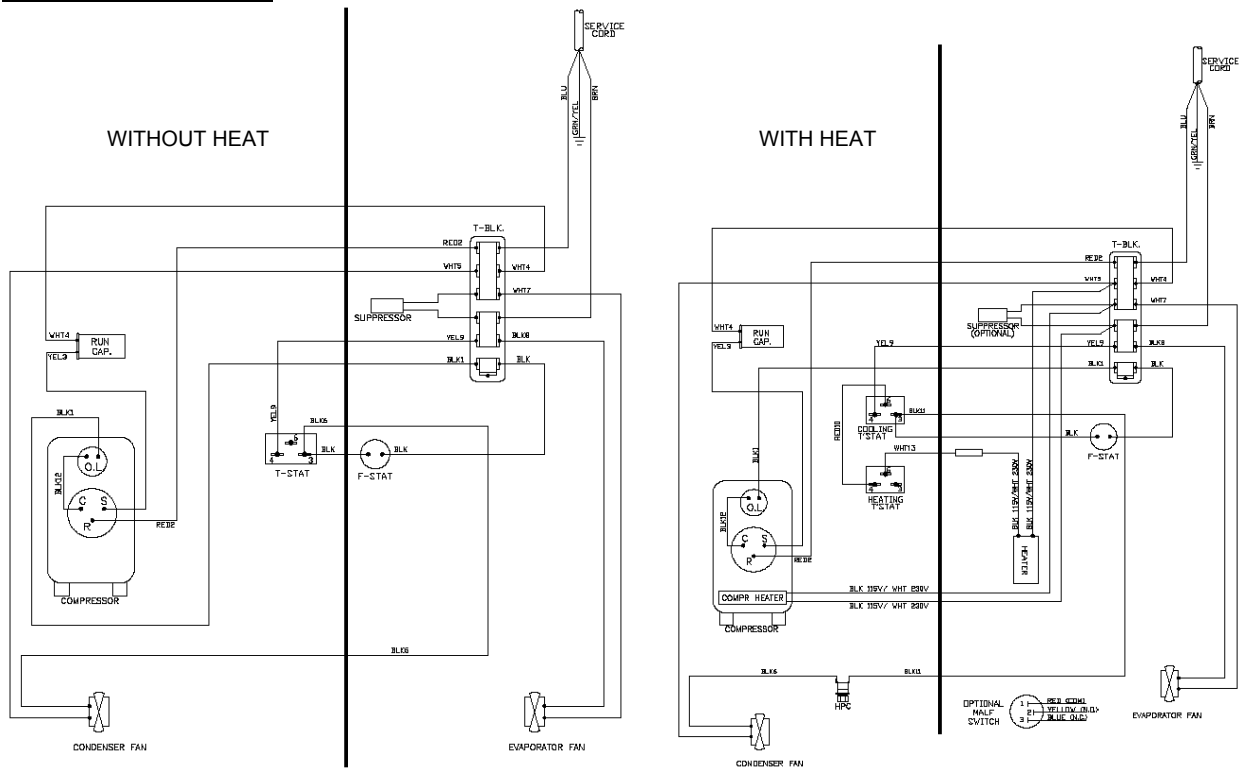
### CUTOUT INSTRUCTIONS (AS VIEWED FROM OUTSIDE OF ENCLOSURE)

- NOTES:  
1. PHANTOM LINES REPRESENT AIR CONDITIONER.

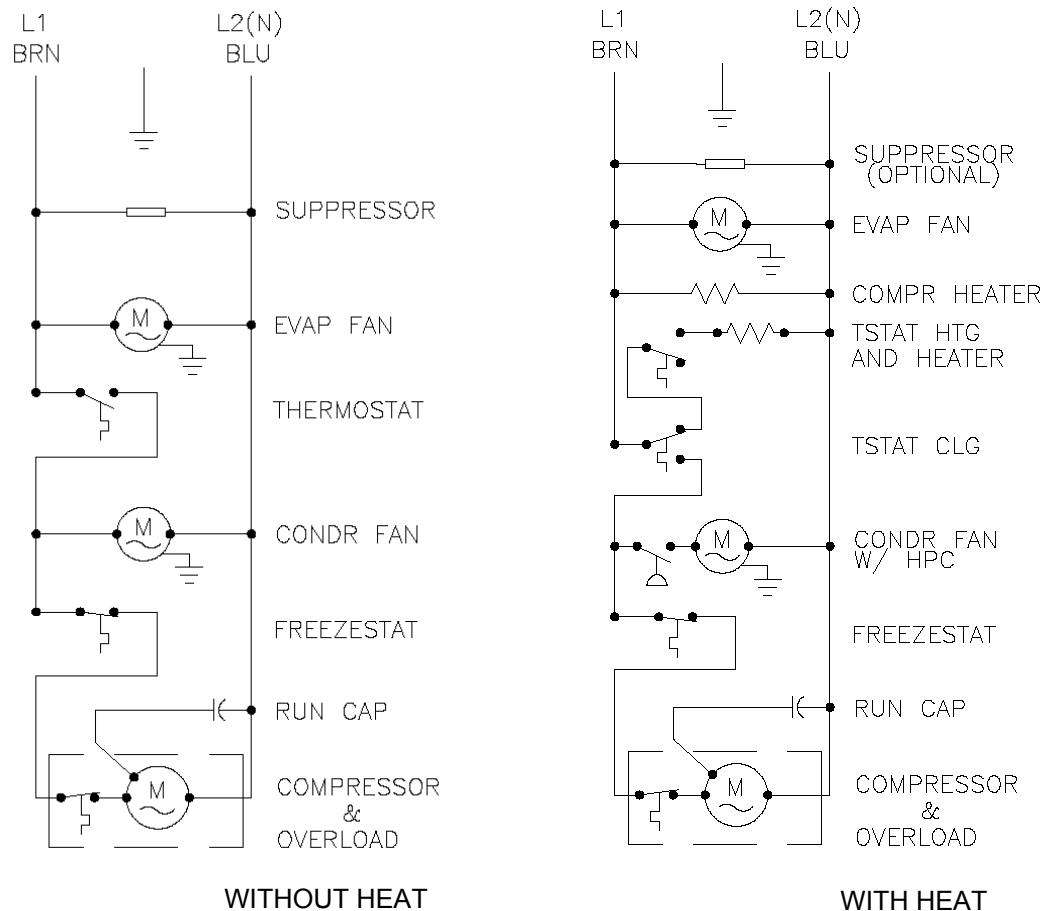
## T15 Series Components List

Part Description	Part Number	
	115V	230V
Fan, Condenser	12-1012-01	12-1012-02
Fan, Evaporator	13-1015-01	13-1015-02
Capacitor, Compressor	52-6032-09	52-6032-10
Coil, Condenser	15-1001-02	15-1001-02
Coil, Condenser, Coated	15-1001-01	15-1001-01
Coil, Evaporator	15-1001-03	15-1001-03
Compressor	10-1016-82	10-1026-101
Filter, Air, Reusable	10-1000-91	10-1000-91
Filter/Dryer	52-6028-03	52-6028-03
Freeze stat	10-1033-26	10-1033-26
Service Cord	52-6035-140	52-6035-141
Terminal Block	10-1003-03	10-1003-03
Thermal Overload, Compressor	10-1007-67	10-1007-68
Thermostat, SPST, 55-100F	10-1061-16	10-1061-16
Optional Heater	10-2004-23	10-2004-24
Optional Malf Switch	52-6104-42	52-6104-42

# T15 Wire Diagram



# T15 Schematic



## TEMPERATURE CONTROL

The electromechanical thermostat is factory preset to 75°F/23°C. To change the temperature setting, remove the nylon plug from the front face of the unit. Use a standard screwdriver to adjust thermostat. For cooler temperatures turn clockwise, for warmer temperatures turn counterclockwise. Setpoint differential is 6°F.

### **Units With heat**

With a dial setting of 75°F, heat will turn on @ 70°F and turn off @ 75°F. Cooling will turn on @ 85°F and turn off at 80°F.

There is a 10°F difference between the heater off setpoint and cooling on setpoint to prevent both from operating at the same time.

The dial range of the thermostat is 50-95°F.

## PRINCIPLES OF OPERATION

If electrical power to the air conditioner is interrupted and reapplied immediately, (within 3 to 5 seconds), the compressor may not restart due to the high back pressure of the compressor. It takes a minimum of one (1) minute after shut-down for the compressor suction and discharge pressures to equalize in order for the air conditioner to restart.

Operating the air conditioner below the minimum ambient temperature or above the maximum ambient temperatures indicated on the nameplate voids all warranties.

It is recommended that the warranty section of this manual be read in order to familiarize yourself with parameters of restricted operation.

The moisture that the enclosure air can contain is limited. If moisture flows from the drain tube continuously this can only mean that ambient air is entering the enclosure. Be aware that frequent opening of the enclosure's door admits humid air, which the air conditioner must then dehumidify.

Units with the optional malfunction switch have a normally open connection between the red & yellow wires and normally closed with the red and blue wires. During alarm the red and yellow wires will be closed and the blue and red wires will be open.

Maximum electrical ratings for the switch are 13A for 120 VAC and 10A for 240 VAC.

## MAINTENANCE

### **Compressor**

The compressor requires no maintenance. It is hermetically sealed, properly lubricated at the factory and should provide years of satisfactory operating service.

Should the refrigerant charge be lost, recharging ports (access fittings) on the suction and discharge sides of the compressor are provided for recharging and/or checking suction and discharge pressures.

Under no circumstances should the access fitting covers be loosened, removed or tampered with.

Breaking of seals on compressor access fittings during warranty period will void warranty on hermetic system.

Recharging ports are provided for the ease and convenience of reputable refrigeration repair service personnel for recharging the air conditioner.

## **Inlet Air Filter**

Proper maintenance of the inlet air filter, located behind the front cover, will assure normal operation of the air conditioner. If filter maintenance is delayed or ignored, the maximum ambient temperatures under which the unit is designed to operate will be decreased.

If the compressor's operating temperature increases above designed conditions due to a dirty or clogged filter (or plugged condenser coil), the air conditioner's compressor will stop operating due to actuation of the thermal overload cut-out switch located on the compressor housing. As soon as the compressor temperature has dropped to within the switch's cut-in setting, the compressor will restart automatically. However the above condition will continue to take place until the filter or coil has been cleaned. It is recommended that power to the air conditioner be interrupted intentionally when abnormally high compressor operating temperature causes automatic shut-down of the unit. The above described shut-down is symptomatic of a clogged or dirty filter, thus causing a reduction in cooling airflow across the surface of the compressor and condenser coil.

Do not run the air conditioner for extended periods of time with the filter removed. Particles of dust, lint, etc., can plug the fins of the condenser coil, which will give the same reaction as a plugged filter. The condenser coil is not visible through the filter opening, so protect it with a filter.

Continued operation under the above conditions can and will damage and shorten compressor life. The air conditioner is available with an easily removable inlet filter to facilitate necessary cleaning. There should be no reason to neglect this necessary maintenance.

## **How To Remove, Clean or Install a New Inlet Air Filter**

RP aluminum washable air filters are designed to provide excellent filtering efficiency with a high dust holding capacity and a minimum amount of resistance to air flow. Because they are constructed entirely of aluminum they are lightweight and easy to service. Optimum filter performance is maintained by recoating the filters after washing with RP Super Filter Coat adhesive. To achieve maximum performance from your air handling equipment, air filters should be cleaned on a regular basis.

The inlet air filter is located behind the front cover. To access filter, pull ring protruding from slot in bottom of front cover. The filter may now be cleaned or new filter installed.

Cleaning Instructions:

1. Flush the filter with warm water from the exhaust side to the intake side. DO NOT USE CAUSTICS.
2. After flushing allow filter to drain. Placing it with a corner down will assure complete drainage.
3. Recoat the filters with RP Super Filter Coat adhesive. When spraying filter do so from both sides for maximum concentration of adhesive.

## **Condenser and Evaporator Fans**

Fan motors require no maintenance. All bearings, shafts, etc. are lubricated during manufacturing for the life of the fan.

Caution: Operation of the air conditioner in areas containing airborne caustics or chemicals can rapidly deteriorate filters, condenser coils, fans and motors, etc. Contact McLean Cooling Technology for special recommendations.

## **Refrigerant Loss**

Each air conditioner is thoroughly tested prior to leaving the factory to insure against refrigeration leaks. Shipping damage or microscopic leaks not found with sensitive electronic refrigerant leak detection equipment during manufacture may require repair or recharging of the system. This work should only be performed by qualified professionals, generally available through a local, reputable air conditioning repair or service company.

Refer to the data on the nameplate, which specifies the type of refrigerant and the charge size in ounces.

Before recharging, make sure there are no leaks and that the system has been properly evacuated into a deep vacuum.



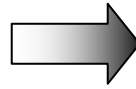
# TROUBLE SHOOTING

## Basic Air Conditioning Trouble Shooting Check List

1. Check manufacturer's nameplate located on the unit for correct power supply.
2. Turn the power to the unit on. The evaporator (Enclosure or "COLD" air) fan should come on. Is there airflow?

YES, proceed to step # 3.

NO, possible:            Open motor winding  
                                 Stuck fan motor  
                                 Obstructed blades

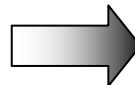


**Repair or Replace  
defective parts.**

3. Check thermostat setting? Adjust thermostat to the lowest setting. This should turn the condenser fan and the compressor on. Did condenser fan and compressor come on when the thermostat was turned on?

YES, proceed to step #4.

NO, possible:            Defective thermostat



**Replace part.**

4. Are both fans and the compressor running? If not the unit will not cool properly.
5. Check condenser ( Ambient or "HOT" air ) fan for airflow. Is there airflow?

YES, proceed to step # 6.

NO, possible:            Defective thermostat  
                                 Open motor winding  
                                 Stuck fan motor  
                                 Obstructed blades

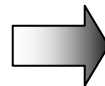


**Repair or Replace  
defective parts.**

6. Carefully check the compressor for operation - motor should cause slight vibration, and the outer case of the compressor should be warm.

YES, wait 5 minutes, then proceed to step #7.

NO, possible:            Defective thermostat  
                                 Defective capacitor  
                                 Defective overload  
                                 Defective relay



**Repair or Replace  
defective parts.**

7. Make sure the coils are clean. Then check evaporator "air in" and "air out" temperatures. If the temperatures are the same:

Possible loss of refrigerant  
Possible bad valves in the compressor



**Repair or Replace  
defective parts.**

8. To check for a bad thermostat. Turn power to the unit off. Remove control box cover, place both thermostat wires onto one terminal (replace control box cover for safety). This will bypass the switch in the thermostat. Turn the power on. If both fans and the compressor come on, the thermostat needs to be replaced.

## **Symptoms and Possible Causes:**

### SYMPTOM

### POSSIBLE CAUSE

Unit won't cool

- \* Clogged fins on coil(s)
- \* Dirty filter
- \* Fans not running
- \* Compressor not running
- \* Compressor runs, but has bad valves
- \* Loss of refrigerant

Compressor tries to start but won't run

- \* Low line voltage at start. Should be +/-10% rated voltage
- \* Compressor motor stuck
- \* Bad contactor
- \* Bad overload switch
- \* Bad run/start capacitor

Unit blows breakers

- \* Under sized breaker/fuse or not time delayed
- \* Short in system

Getting water in enclosure

- \* Drain plugged
- \* Drain tube kinked
- \* Enclosure not sealed (allowing humidity in)
- \* Mounting gasket damaged

**For additional technical information (i.e., amp draw, pressures, temperatures) contact MAI at 317-257-6811.**

*Protecting Electronics.  
Exceeding Expectations.™*

MAI

5736 North Michigan Road

Indianapolis, IN 46228

317-257-6811

317-257-1590 fax

**[www.McLeanparts.net](http://www.McLeanparts.net)**



***McLean***<sup>®</sup>  
**COOLING TECHNOLOGY**

*A Pentair Company*