

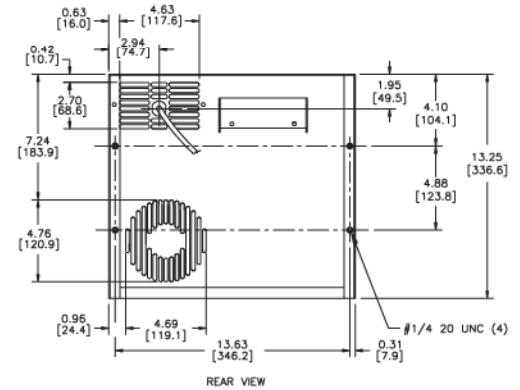
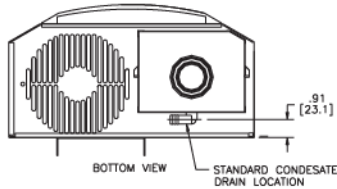
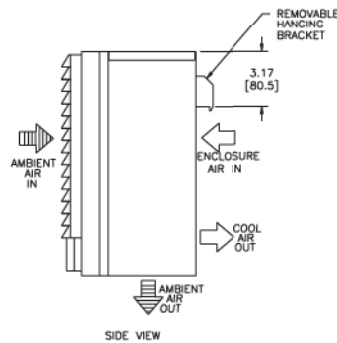
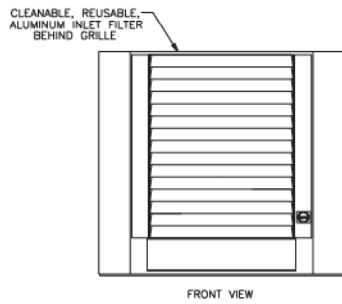
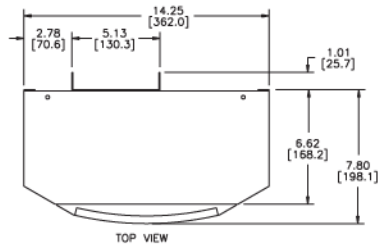
**GENESIS®**

## Performance Data M13 Models 1000 BTU/Hr. (293 W)

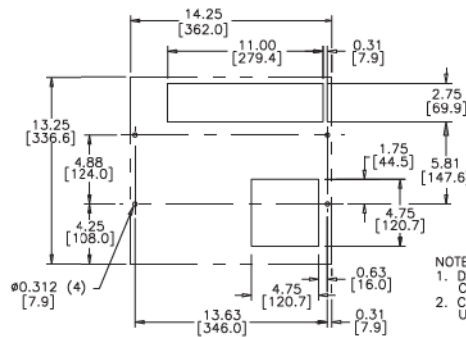
CATALOG NUMBER	M130116G1014	M130126G1008	M130146G400
<b>COOLING PERFORMANCE</b>			
<b>Nominal:</b>			
BTUs/Hr.	800/1000	800/1000	800/1000
Watts	234/293	234/293	234/293
Refrigerant	R-134A	R-134A	R-134A
Refrigerant Charge (ounces/grams)	5.5/156	5.5/156	5.5/156
<b>Operating Temperature Range:</b>			
Maximum (°F/°C)	125/52	125/52	125/52
Minimum (°F/°C)	50/10	50/10	50/10
<b>Airflow at 0 Static Pressure:</b>			
Internal loop 50 Hz (CFM / m³/hr.)	71/121	75/127	75/127
External loop 50 Hz (CFM / m³/hr.)	75/127	71/121	71/121
Internal loop 60 Hz (CFM / m³/hr.)	74/126	78/132	78/132
External loop 60 Hz (CFM / m³/hr.)	78/132	74/126	74/126
<b>ELECTRICAL DATA</b>			
Rated Voltage	115	230	460V 1PH
Frequency (Hz)	50/60	50/60	50/60
Operating Range	+/- 10%	+/- 10%	+/- 10%
Max. Power Consumption (W at 50/60 Hz)	460	483	552
Max. Nominal Current (A at 50/60 Hz)	4	2.2/2.1	1.2
Starting Current (A)	18	8.5	5
Agency Approvals		cUL Listed CE	cUR Recognized CE
	Others available upon request		
Power Input Description	6-ft. cord with NEMA 5-15 plug	6-ft. cord with NEMA 6-15 plug	6-ft. cord with wire leads
<b>ENCLOSURE PROTECTION</b>			
UL Type	Type 12 standard		
<b>CONTROLLER</b>			
Description	Basic mechanical thermostat		
Thermostat Location	Behind filter		
Factory Thermostat Setting (°F/°C)	80/27		
<b>SOUND LEVEL</b>			
At 1.5 Meters	56 dB(A)		
<b>UNIT CONSTRUCTION</b>			
Material	Mild steel sheet metal standard Stainless steel optional		
Finish	RAL 7042 gray, semi-gloss powder-coat paint standard		
<b>UNIT DIMENSIONS</b>			
Height (in./mm)	13.25/337	13.25/337	17.75/450.9
Width (in./mm)	14.25/362	14.25/362	14.25/362
Depth (in./mm)	7.8/198	7.8/198	7.8/198
Weight (lb./kg)	48/22	48/22	58/26

**GENESIS®**

M13 Models 1000 BTU/Hr. (293 Watt)

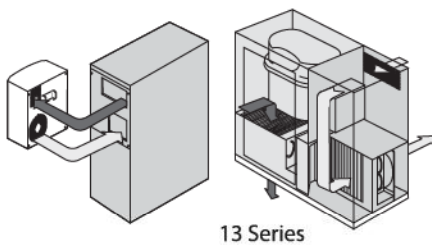


89044973



NOTES:  
1. DASHED LINES REPRESENT AIR CONDITIONER.  
2. CUT-OUT DIMENSIONS FOR STANDARD UNITS ONLY.

Cutout Instructions



13 Series

Visit [www.McLeanCoolingTech.com](http://www.McLeanCoolingTech.com) to download 2D and 3D CAD drawings into the overall design of your electronic system.