

**GENESIS®**

 Performance Data **M28 Models 2200 BTU/Hr. (645 W)**

CATALOG NUMBER	M280216G013	M280226G004	M280246G400
<b>COOLING PERFORMANCE</b>			
<b>Nominal:</b>			
BTUs/Hr.	<b>2200/2200</b>	<b>2200/2200</b>	<b>2200/2200</b>
Watts	<b>645/645</b>	<b>645/645</b>	<b>645/645</b>
Refrigerant	R-134A	R-134A	R-134A
Refrigerant Charge (ounces/grams)	11/312	10/284	10/284
<b>Operating Temperature Range:</b>			
Maximum (°F/°C)	125/52	125/52	125/52
Minimum (°F/°C)	50/10	50/10	50/10
<b>Airflow at 0 Static Pressure:</b>			
Internal loop 50 Hz (CFM / m³/hr.)	146/248	175/297	175/297
External loop 50 Hz (CFM / m³/hr.)	230/391	225/382	225/382
Internal loop 60 Hz (CFM / m³/hr.)	170/289	210/357	210/357
External loop 60 Hz (CFM / m³/hr.)	260/442	255/433	255/433
<b>ELECTRICAL DATA</b>			
Rated Voltage	<b>115</b>	<b>230</b>	<b>460V 1PH</b>
Frequency (Hz)	50/60	50/60	50/60
Operating Range	+/- 10%	+/- 10%	+/- 10%
Max. Power Consumption (W at 50/60 Hz)	1127/1035	1150/1035	1288/1150
Max. Nominal Current (A at 50/60 Hz)	9.8/9.0	5.0/4.5	2.8/2.5
Starting Current (A)	28	14.4	7.4
Agency Approvals		cUL Listed CE	cUR Recognized CE
	Others available upon request		
Power Input Description	6-ft. cord with NEMA 5-15 plug	6-ft. cord with NEMA 6-15 plug	6-ft. cord with wire leads
<b>ENCLOSURE PROTECTION</b>			
UL Type	Type 12 standard		
<b>CONTROLLER</b>			
Description	Basic mechanical thermostat		
Thermostat Location	Behind filter		
Factory Thermostat Setting (°F/°C)	80/27		
<b>SOUND LEVEL</b>			
At 1.5 Meters	55 dB(A)		
<b>UNIT CONSTRUCTION</b>			
Material	Mild steel sheet metal standard Stainless steel optional		
Finish	RAL 7042 gray, semi-gloss powder-coat paint standard		
<b>UNIT DIMENSIONS</b>			
Height (in./mm)	28.5/724	28.5/724	28.5/724
Width (in./mm)	17/432	17/432	17/432
Depth (in./mm)	11.3/288	11.3/288	11.3/288
Weight (lb./kg)	98/45	98/45	108/49

**GENESIS®**

 Performance Data **M28 Models 4000 BTU/Hr. (1172 W)**

CATALOG NUMBER	M280416G007	M280426G032	M280446G400
<b>COOLING PERFORMANCE</b>			
Nominal:			
BTUs/Hr.	<b>3800/4000</b>	<b>3800/4000</b>	<b>3800/4000</b>
Watts	<b>1114/1172</b>	<b>1114/1172</b>	<b>1114/1172</b>
Refrigerant	R-134A	R-134A	R-134A
Refrigerant Charge (ounces/grams)	11/312	11/312	11/312
Operating Temperature Range:			
Maximum (°F/°C)	125/52	125/52	125/52
Minimum (°F/°C)	50/10	50/10	50/10
Airflow at 0 Static Pressure:			
Internal loop 50 Hz (CFM / m <sup>3</sup> /hr.)	153/260	146/248	146/248
External loop 50 Hz (CFM / m <sup>3</sup> /hr.)	230/391	225/382	225/382
Internal loop 60 Hz (CFM / m <sup>3</sup> /hr.)	174/296	166/282	166/282
External loop 60 Hz (CFM / m <sup>3</sup> /hr.)	260/442	255/433	255/433
<b>ELECTRICAL DATA</b>			
Rated Voltage	<b>115</b>	<b>230</b>	<b>460V 1PH</b>
Frequency (Hz)	50/60	50/60	50/60
Operating Range	+/- 10%	+/- 10%	+/- 10%
Max. Power Consumption (W at 50/60 Hz)	1679/1610	1702/1587	1886/1748
Max. Nominal Current (A at 50/60 Hz)	14.6/14.0	7.4/6.9	4.1/3.8
Starting Current (A)	48	23	12
Agency Approvals		cUL Listed CE	cUR Recognized CE
	Others available upon request		
Power Input Description	6-ft. cord with NEMA 5-20 plug	6-ft. cord with NEMA 6-15 plug	6-ft. cord with wire leads
<b>ENCLOSURE PROTECTION</b>			
UL Type	Type 12 standard		
<b>CONTROLLER</b>			
Description	Basic mechanical thermostat		
Thermostat Location	Behind filter		
Factory Thermostat Setting (°F/°C)	80/27		
<b>SOUND LEVEL</b>			
At 1.5 Meters	62 dB(A)		
<b>UNIT CONSTRUCTION</b>			
Material	Mild steel sheet metal standard Stainless steel optional		
Finish	RAL 7042 gray, semi-gloss powder-coat paint standard		
<b>UNIT DIMENSIONS</b>			
Height (in./mm)	28.5/724	28.5/724	28.5/724
Width (in./mm)	17/432	17/432	17/432
Depth (in./mm)	11.3/288	11.3/288	11.3/288
Weight (lb./kg)	116/53	116/53	136/62

**NOTE:** These units are scheduled to be made obsolete June 30, 2011. Please refer to the SPECTRACOOL™ G28 at the front of this catalog.

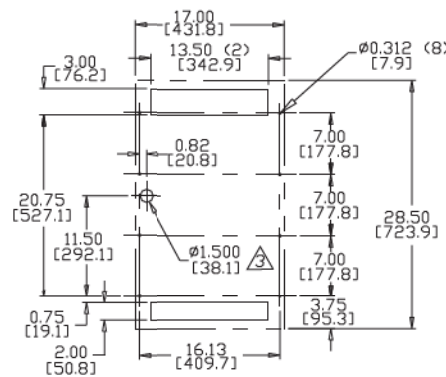
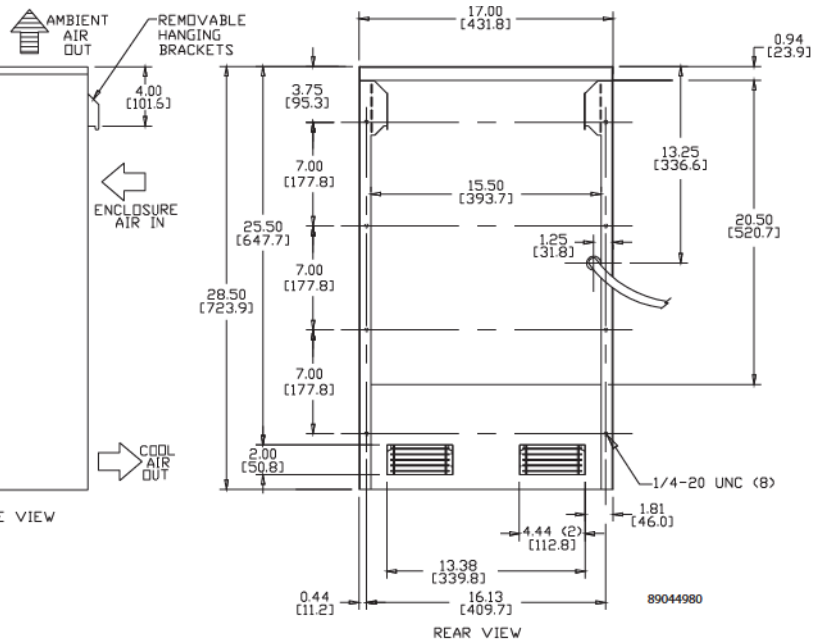
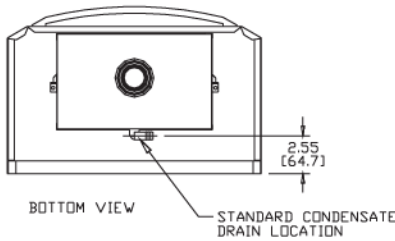
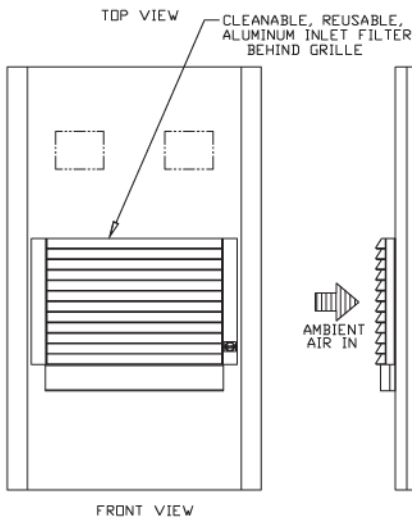
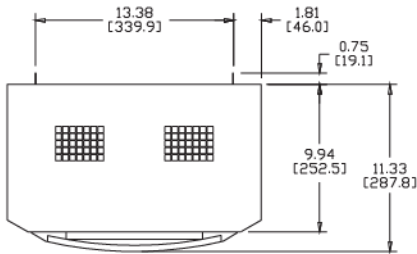
**GENESIS®**

## Technical Data M28 Models 6000 BTU/Hr. (1758 W)

CATALOG NUMBER	M280616G005	M280626G005	M280646G400
<b>COOLING PERFORMANCE</b>			
<b>Nominal:</b>			
<b>BTUs/Hr.</b>	<b>5400/6000</b>	<b>5400/6000</b>	<b>5400/6000</b>
<b>Watts</b>	<b>1582/1758</b>	<b>1582/1758</b>	<b>1582/1758</b>
Refrigerant	R-134A	R-134A	R-134A
Refrigerant Charge (ounces/grams)	15/425	15/425	15/425
<b>Operating Temperature Range:</b>			
Maximum (°F/°C)	125/52	125/52	125/52
Minimum (°F/°C)	50/10	50/10	50/10
<b>Airflow at 0 Static Pressure:</b>			
Internal loop 50 Hz (CFM / m <sup>3</sup> /hr.)	153/260	146/248	146/248
External loop 50 Hz (CFM / m <sup>3</sup> /hr.)	325/552	325/552	325/552
Internal loop 60 Hz (CFM / m <sup>3</sup> /hr.)	174/296	166/282	166/282
External loop 60 Hz (CFM / m <sup>3</sup> /hr.)	373/634	373/634	373/634
<b>ELECTRICAL DATA</b>			
<b>Rated Voltage</b>	<b>115</b>	<b>230</b>	<b>460V 1PH</b>
Frequency (Hz)	50/60	50/60	50/60
Operating Range	+/- 10%	+/- 10%	+/- 10%
Max. Power Consumption (W at 50/60 Hz)	1886/1978	1840	2024
Max. Nominal Current (A at 50/60 Hz)	16.4/17.2	8	4.4
Starting Current (A)	58.8	27.4	14
Agency Approvals	cUR Recognized CE	cUL Listed CE	cUR Recognized CE
Power Input Description	6-ft. cord with wire leads	6-ft. cord with NEMA 6-15 plug	6-ft. cord with wire leads
<b>ENCLOSURE PROTECTION</b>			
UL Type	Type 12 standard		
<b>CONTROLLER</b>			
Description	Basic mechanical thermostat		
Thermostat Location	Behind filter		
Factory Thermostat Setting (°F/°C)	80/27		
<b>SOUND LEVEL</b>			
At 1.5 Meters	62 dB(A)		
<b>UNIT CONSTRUCTION</b>			
Material	Mild steel sheet metal standard Stainless steel optional		
Finish	RAL 7042 gray, semi-gloss powder-coat paint standard		
<b>UNIT DIMENSIONS</b>			
Height (in./mm)	28.5/724		
Width (in./mm)	17/432		
Depth (in./mm)	11.3/288		
Weight (lb./kg)	120/55	120/55	150/68

**NOTE:** These units are scheduled to be made obsolete June 30, 2011. Please refer to the SPECTRACOOL™ G28 at the front of this catalog.

M28 Models 2200-6000 BTU/Hr. (645-1758 Watt)



- NOTES:  
 1. DASHED LINES REPRESENT AIR CONDITIONER.  
 2. CUT-OUT DIMENSIONS FOR STANDARD UNITS ONLY.  
 3. THIS HOLE MAY BE DELETED IF THE SERVICE CORD IS ROUTED THROUGH THE 3' x 13-1/2' OPENING. (EXCEPT UNITS WITH ELECTRIC HEAT)

Cutout Instructions

Visit [www.McLeanCoolingTech.com](http://www.McLeanCoolingTech.com) to download 2D and 3D CAD drawings into the overall design of your electronic system.