

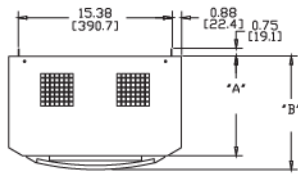
GENESIS®

Performance Data M52-3 Phase Models 4100-10000 BTU/Hr. (1113-2930 W)

CATALOG NUMBER	M520446G002	M520646G002	M520846G002	M521046G002
COOLING PERFORMANCE				
Nominal:				
BTUs/Hr.	3800/4100	5000/6000	6500/7500	8000/10000
Watts	1113/1201	1465/1760	1905/2198	2345/2930
Refrigerant	R-134A	R-134A	R-134A	R-134A
Refrigerant Charge (ounces/grams)	14/397	17/482	13.5/382	29/824
Operating Temperature Range:				
Maximum (°F/°C)	131/55	125/52	131/55	131/55
Minimum (°F/°C)	50/10	50/10	50/10	50/10
Airflow at 0 Static Pressure:				
Internal loop 50 Hz (CFM / m ³ /hr.)	225/382	225/382	225/382	225/382
External loop 50 Hz (CFM / m ³ /hr.)	500/850	500/850	500/850	500/850
Internal loop 60 Hz (CFM / m ³ /hr.)	270/459	270/459	248/421	266/452
External loop 60 Hz (CFM / m ³ /hr.)	578/982	578/982	578/982	578/982
ELECTRICAL DATA				
Rated Voltage	*400/440/460 3~	400/440/460/3~	*400/440/460 3~	*400/440/460 3~
Frequency (Hz)	50/60	50/60	50/60	50/60
Operating Range	* Min./Max. +/- 10%	* Min./Max. +/- 10%	* Min./Max. +/- 10%	* Min./Max. +/- 10%
Max. Power Consumption (W at 50/60 Hz)	705.5/782	830/828	1453/1472	1536/1564
Max. Nominal Current (A at 50/60 Hz)	1.7	2.0/1.8	3.5/3.2	3.7/3.4
Starting Current (A)	15.4	15.4	20	26
Agency Approvals	cUL Listed CE Others available upon request		cUL Listed CE Others available upon request	
Power Input Description	Terminal block		Terminal block	
ENCLOSURE PROTECTION				
UL Type	Type 12 standard			
CONTROLLER				
Description	Basic mechanical thermostat			
Thermostat Location	Behind filter			
Factory Thermostat Setting (°F/°C)	80/27			
SOUND LEVEL				
At 1.5 Meters	67 dB(A)			
UNIT CONSTRUCTION				
Material	Mild steel sheet metal standard Stainless steel optional			
Finish	RAL 7042 gray, semi-gloss powder-coat paint standard			
UNIT DIMENSIONS				
Height (in./mm)	52.63/1337	52.63/1337	52.63/1337	52.63/1337
Width (in./mm)	17.13/435	17.13/435	17.13/435	17.13/435
Depth (in./mm)	11.33/288	11.33/288	11.33/288	13.33/339
Weight (lb./kg)	162/74	162/74	162/74	165/75

GENESIS®

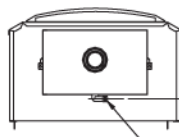
M52-3 Phase Models 4100-10000 BTU/Hr. (1201-2930 Watt)



TOP VIEW



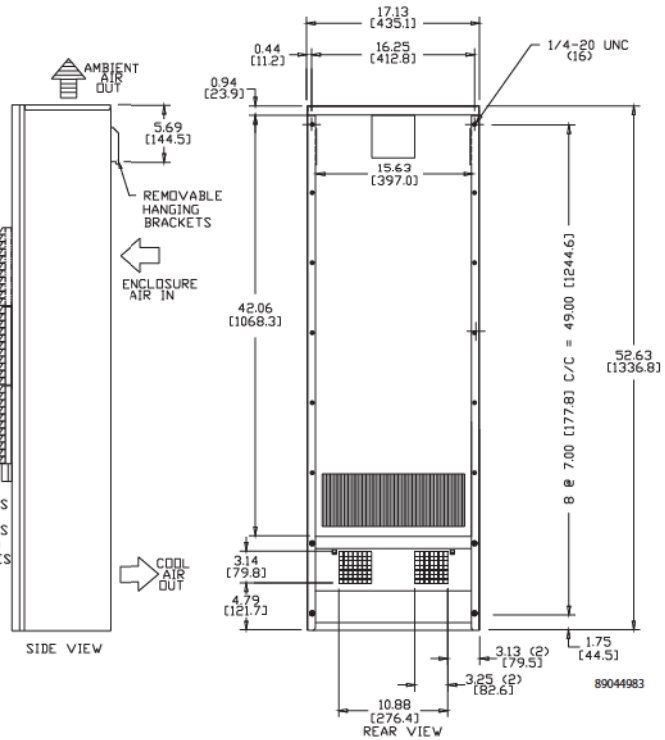
FRONT VIEW



BOTTOM VIEW

CLEANABLE, REUSABLE ALUMINUM INLET FILTERS BEHIND GRILLES
4000 - 8000 BTU MODELS USE TWO GRILLES 10000 BTU USES THREE GRILLES

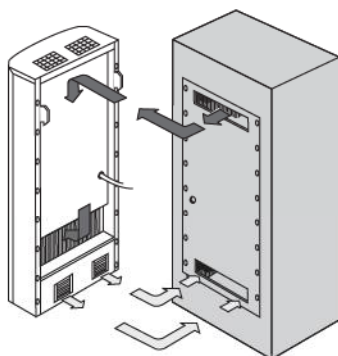
MODEL NO.	DIM.'A'	DIM.'B'
M52-0446 M52-0646 & 0846-GXXX	9.94'	11.33'
M52-1046-GXXX	11.94'	13.33'



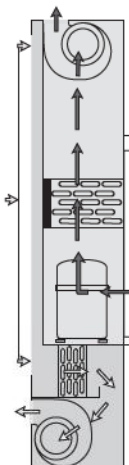
SIDE VIEW

REAR VIEW

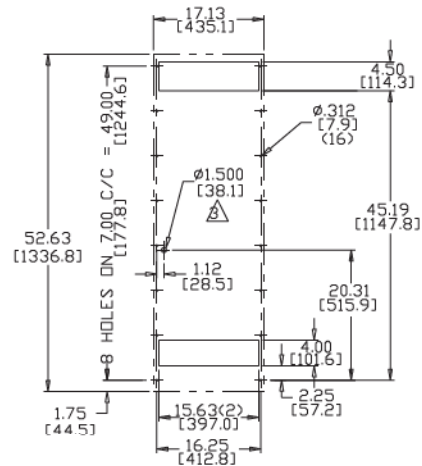
■ Ambient airflow
■ Clean airflow



Side-Mount to Enclosure



52 Series



Cutout Instructions

- NOTES:
1. DASHED LINES REPRESENT AIR CONDITIONER.
 2. CUT-OUT DIMENSIONS FOR STANDARD UNITS ONLY.
 3. THIS HOLE MAY BE DELETED IF THE SERVICE CORD IS ROUTED THROUGH THE 4.50" X 15.63" OPENING. (EXCEPT UNITS WITH ELECTRIC HEAT)

Visit www.McLeanCoolingTech.com to download 2D and 3D CAD drawings into the overall design of your electronic system.