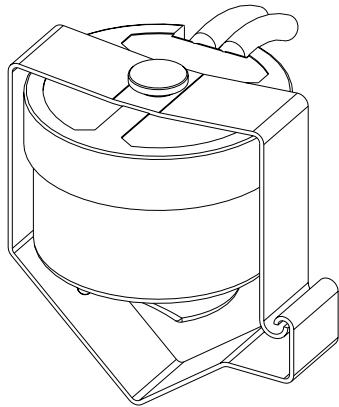


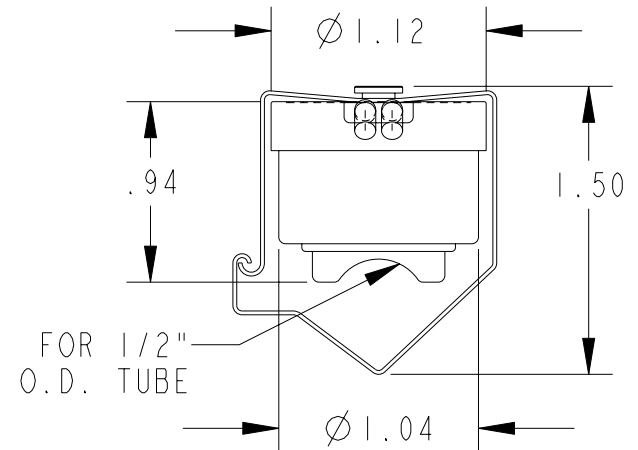
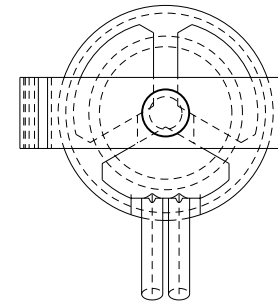
SCALE 1.250




		DWG. NO. 10-1033-28		
REV	DESCRIPTION	DATE	BY	CHK
2	RELEASED FOR PRODUCTION	2/27/04	CGC	CGC

NOTE:

1. THERMODISK P/N: 37TV32 31572
 2. OPEN AT $25 \pm 5^{\circ}\text{F}$, CLOSE AT $45 \pm 6^{\circ}\text{F}$
 3. 48" LEAD LENGTH
 4. UL RATING (FILE# E29653):
221F OR 105C MAX. TEMP*.
120 VAC: 125 VA PD.
240 VAC: 125 VA PD.
 5. CSA RATING:
194F OR 90C MAX. TEMP*.
120 VAC: 125 VA PD.
240 VAC: 125 VA PD.
 6. VDE CURRENT RATING:
120 VAC: 125 VA PD.
240 VAC: 125 VA PD.
- *SEE MANUF. RATINGS FOR MORE COMPLETE TEMP. RESTRICTIONS



<p>ATTENTION:</p> <p>THIS DRAWING AND THE INFORMATION IT CONTAINS ARE THE EXCLUSIVE PROPERTY OF APW McLEAN. ANY UNAUTHORIZED USE, DISCLOSURE, OR REPRODUCTION WITHOUT THE EXPRESS WRITTEN CONSENT OF APW McLEAN IS PROHIBITED.</p>	UNLESS OTHERWISE SPECIFIED DIMENSIONS ARE IN INCHES. TOLERANCES: DECIMALS .XXX ± .005 DECIMALS .XX ± .015 DECIMALS .X ± .03 ANGULAR ± 1 DEGREE	DRAWN CGC	DATE 9/25/03	
	MATERIAL:	CHECKED MK	DATE 2-27-04	
		PROJECT ENG. CGC	DATE 9/25/03	
		APPROVED MK	DATE 2-27-04	
		SCALE: NONE		LIMIT SWT, AUTO, OP 25F, 37TV32
BULK: SPEC:	SIZE: A	SHEET: I	OF I	DWG. NO 10-1033-28