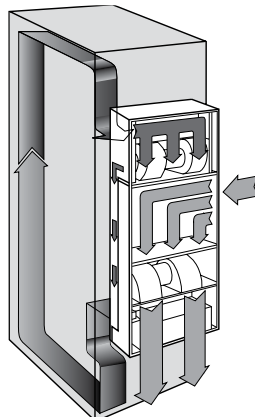
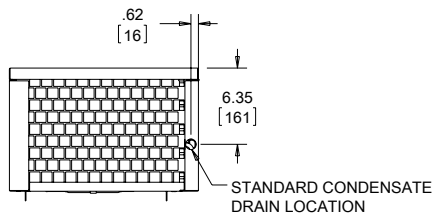
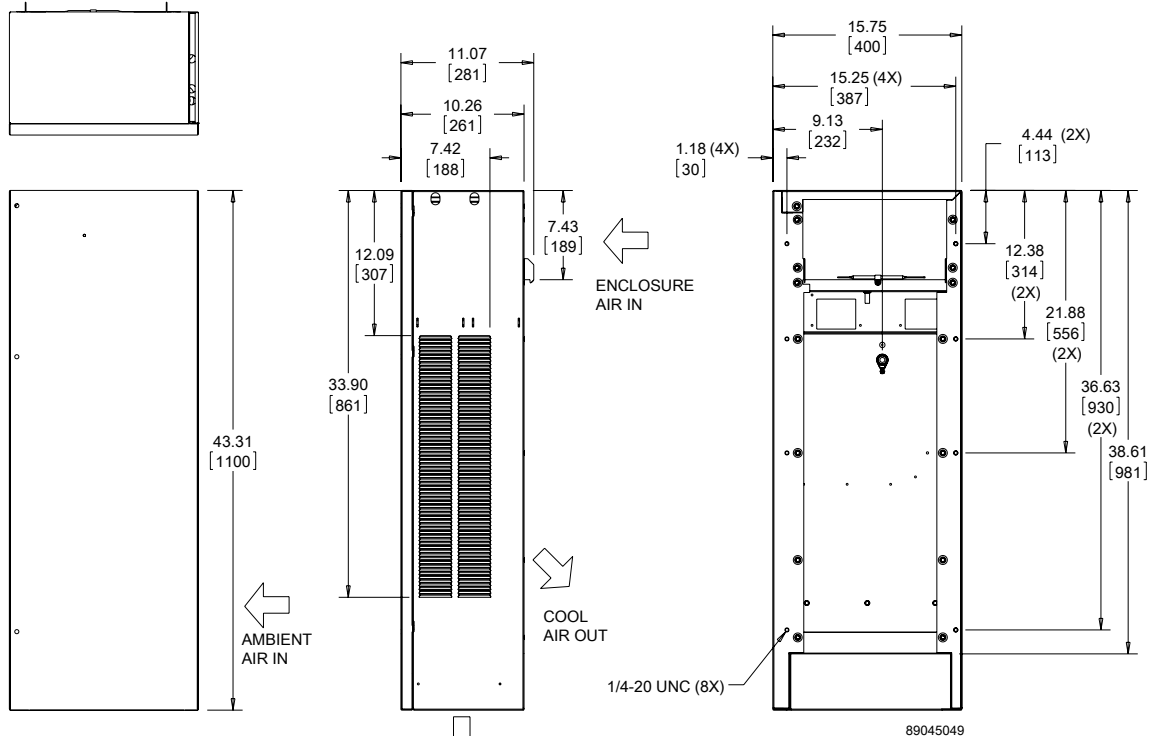


Performance Data **CR43 Models 6000/8000 BTU/Hr. (1758/2344 Watt)**

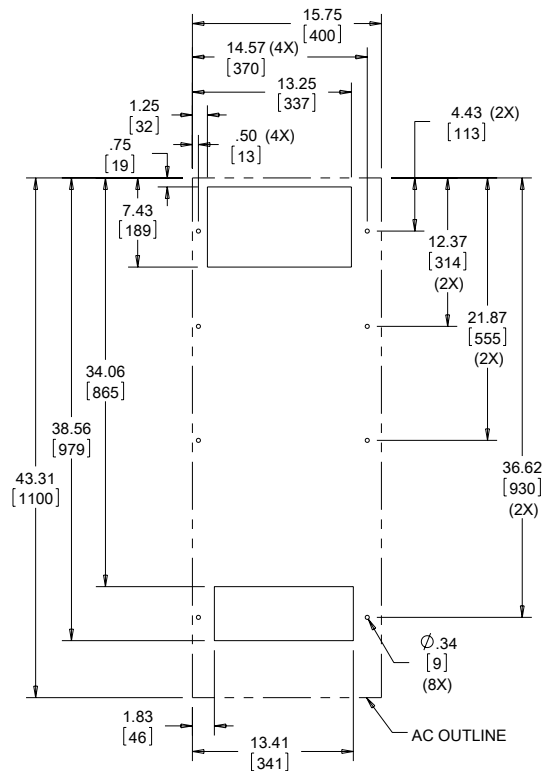
CATALOG NUMBER						
Indoor Model	CR430616G002	CR430626G002	CR430646G004	CR430816G002	CR430826G002	CR430826G089
Indoor Level 2 Controller	CR430616G016	CR430626G018	CR430626G030	CR430816G021	CR430826G026	—
Outdoor Type 3R	CR430616G013	CR430626G014	—	CR430816G038	CR430826G007	—
Outdoor/SST/Corrosion Type 3R	CR430616G004	—	—	CR430816G010	CR430826G037	—
Outdoor/SST/Level 2 Type 3R	—	CR430626G020	—	CR430816G023	CR430826G024	—
Indoor/Outdoor/SST/Corrosion Type 4X	CR430616G031	CR430626G034	CR430626G074	CR430816G036	CR430826G038	CR430846G401
COOLING PERFORMANCE						
<b>Nominal:</b>						
BTU/Hr.	<b>5500/6000</b>	<b>5500/6000</b>	<b>5500/6000</b>	<b>7100/8000</b>	<b>7100/8000</b>	<b>7100/8000</b>
Watts	<b>1611/1758</b>	<b>1611/1758</b>	<b>1611/1758</b>	<b>2080/2344</b>	<b>2080/2344</b>	<b>2080/2344</b>
Refrigerant	R-134A	R-134A	R-134A	R-134A	R-134A	R-134A
Refrigerant Charge (ounces/grams)	19/538	19/538	19/538	19/538	19/538	19/538
Operating Temperature Range:						
Maximum (°F/°C)	131/55	131/55	131/55	131/55	131/55	131/55
Minimum (°F/°C) (Low Ambient Pkg.)	-40/-40	-40/-40	-40/-40	-40/-40	-40/-40	-40/-40
Airflow at 0 Static Pressure:						
Internal loop 50 Hz (CFM / m <sup>3</sup> /hr.)	320/543	226/384	226/384	320/543	226/384	226/384
External loop 50 Hz (CFM / m <sup>3</sup> /hr.)	480/815	470/798	470/798	480/815	470/798	470/798
Internal loop 60 Hz (CFM / m <sup>3</sup> /hr.)	368/625	255/433	255/433	368/625	255/433	255/433
External loop 60 Hz (CFM / m <sup>3</sup> /hr.)	544/924	540/917	540/917	544/924	540/917	540/917
ELECTRICAL DATA						
Rated Voltage	<b>115</b>	<b>230</b>	<b>460V 1PH</b>	<b>115</b>	<b>230</b>	<b>460V 1PH</b>
Frequency (Hz)	50/60	50/60	50/60	50/60	50/60	50/60
Operating Range	+/- 10%	+/- 10%	+/- 10%	+/- 10%	+/- 10%	+/- 10%
Max. Power Consumption (W at 50/60 Hz)	1460	1403/1518	1564/1656	1460	1403/1518	1564/1656
Max. Nominal Current (A at 50/60 Hz)	12.7	6.1/6.6	3.4/3.6	12.7	6.1/6.6	3.4/3.6
Starting Current (A)	48.3	27	14	48.3	27	14
Agency Approvals	cUL Listed CE GOST		cUR Recognized CE GOST	cUL Listed CE GOST		cUR Recognized CE GOST
Power Input Description	Others available upon request 6-ft. cord with NEMA 5-20 plug		6-ft. cord with NEMA 6-15 plug	Others available upon request 6-ft. cord with NEMA 5-20 plug		6-ft. cord with NEMA 6-15 plug
ENCLOSURE PROTECTION						
UL Type	Type 12, 3R standard Type 4, 4X Stainless steel optional			Type 12, 3R standard 4, 4X Stainless steel optional		
CONTROLLER						
Description	Basic mechanical thermostat			Basic mechanical thermostat		
Thermostat Location	Enclosure side on all base models			Enclosure side on all base models		
Factory Thermostat Setting (°F/°C)	80/27			80/27		
SOUND LEVEL						
At 1.5 Meters	71 dB(A)			71 dB(A)		
UNIT CONSTRUCTION						
Material	Galvanized sheet metal standard Stainless steel optional			Galvanized sheet metal standard Stainless steel optional		
Finish	RAL 7035 light-gray, semi-textured powder-coat paint standard			RAL 7035 light-gray, semi-textured powder-coat paint standard		
UNIT DIMENSIONS						
Height (in./mm)	43.31/1100			43.31/1100		
Width (in./mm)	15.75/400			15.75/400		
Depth (in./mm)	10.25/260			10.25/260		
Weight (lb./kg)	125/57	125/57	155/70	125/57	125/57	155/70



## CR43 Models 6000/8000 BTU/Hr. (1758/2344 Watt)



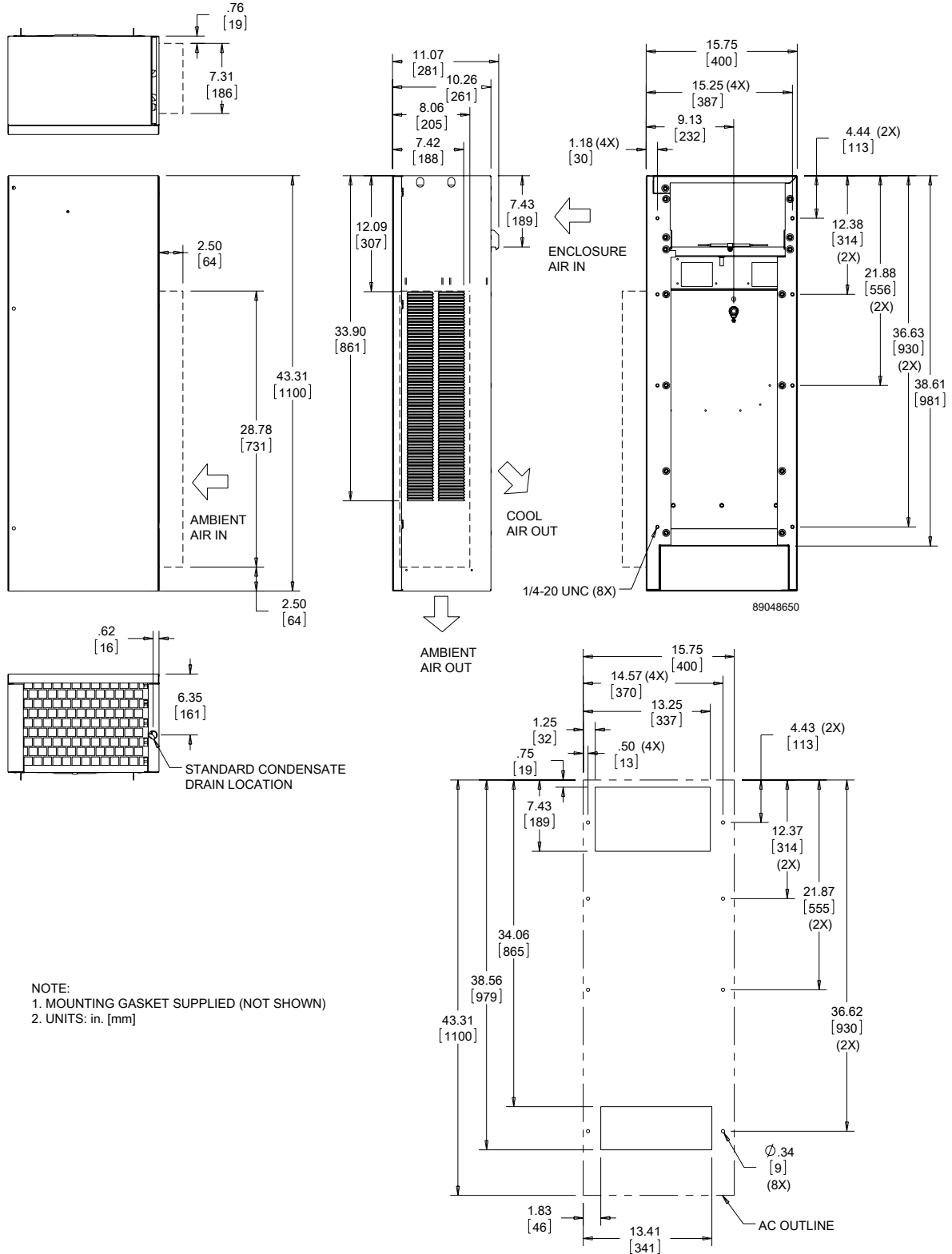
NOTE:  
 1. MOUNTING GASKET SUPPLIED (NOT SHOWN)  
 2. UNITS: in. [mm]



Cutout Dimensions

Visit [www.HoffmanOnline.com](http://www.HoffmanOnline.com) to download 2D and 3D CAD drawings into the overall design of your electronic system.

CR43 Models 6000/8000 BTU/Hr. (1758/2344 Watt) With Type 4X Hood



Cutout Dimensions

Visit [www.HoffmanOnline.com](http://www.HoffmanOnline.com) to download 2D and 3D CAD drawings into the overall design of your electronic system.