

CENTRIFUGAL BLOWERS



INDUSTRY STANDARDS

UL Recognized

CSA Certified Motors

APPLICATION

Single Centrifugal Blowers are compact for the maximum in spot cooling applications. Single centrifugal blowers can be mounted in any position for effective air movement.

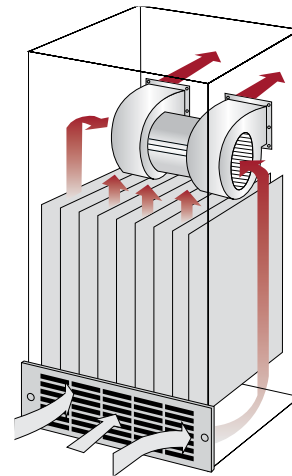
Dual Centrifugal Blowers are designed for applications where space limitations are a problem. Mountable in any position, these blowers provide dual blasts from separate housings mounted on a reliable motor.

FEATURES

- 100% Functionally Tested

SPECIFICATIONS

- 115/230 VAC
- 50/60 Hz



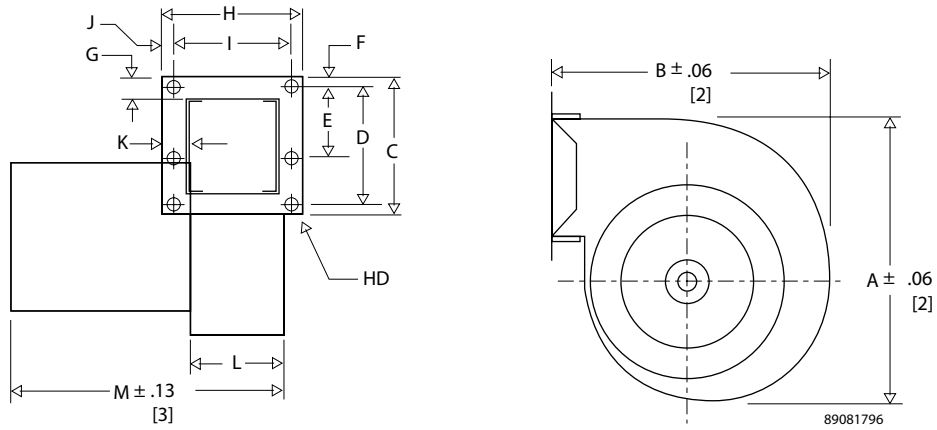
Performance Data 1NB Models

ELECTRICAL DATA		
Rated Voltage	115	230
Frequency (Hz)	50/60	50/60
Maximum Operating Temperature (°F/°C)	104/40	104/40
1NB412 Models		
Catalog Numbers	1NB412115	1NB412230
Free Airflow (CFM/M ³ /hr.)	200/340	200/340
RPM	3100	3100
Nominal Run Current Maximum (Amps)	1.2	0.6
Nominal Start Current Maximum (Amps)	2.1	1.5
Power Consumption (Watts)	120	120
Weight (lb./kg)	6/2.7	6/2.7

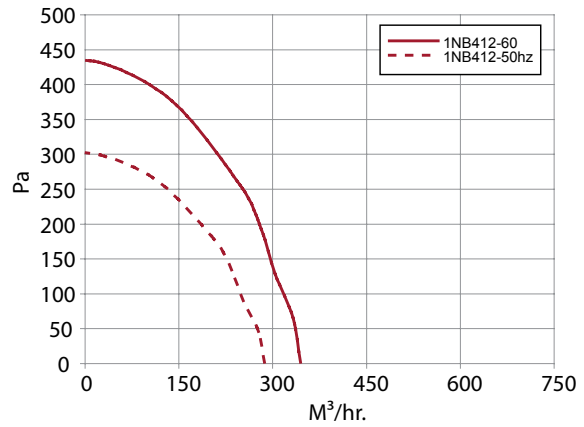
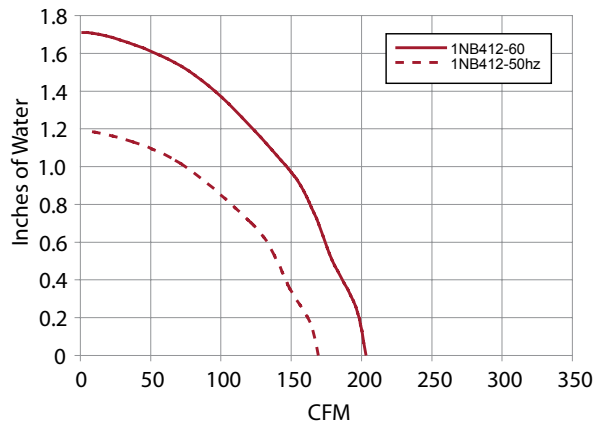
Design Data 1NB Models

CATALOG NUMBERS	A	B	C	D	F	G	H	I	J	K	L	M	HD
	in./mm	in./mm	in./mm	in./mm	in./mm	in./mm	in./mm	in./mm	in./mm	in./mm	in./mm	in./mm	in./mm
1NB412115	6.81/173	6.14/156	3.84/96	3.29/84	0.31/8	0.62/16	4.66/118	4.03/102	0.31/8	0.72/18	3.22/82	7.47/190	0.28/7
1NB412230	6.81/173	6.14/156	3.84/96	3.29/84	0.31/8	0.62/16	4.66/118	4.03/102	0.31/8	0.72/18	3.22/82	7.47/190	0.28/7

1NB Models



Performance Curves 1NB Models



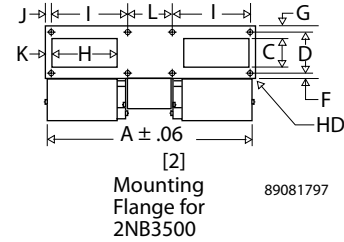
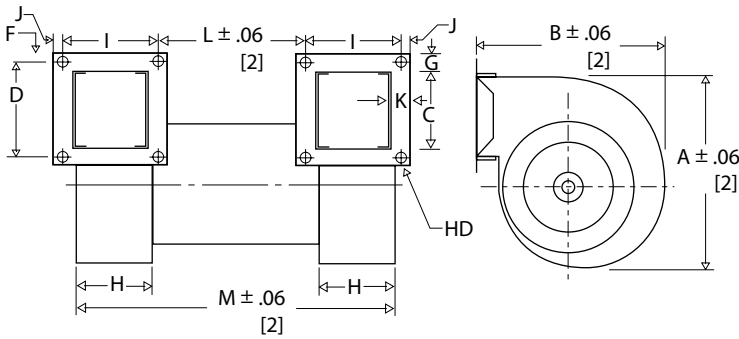
Performance Data **2NB Models**

ELECTRICAL DATA		
Rated Voltage	115	230
Frequency (Hz)	50/60	50/60
Maximum Operating Temperature (°F/°C)	104/40	104/40
2NB300 Models		
Catalog Numbers	2NB300115	2NB300230
Free Airflow (CFM/M ³ /hr.)	130/221	130/221
RPM	2900	2900
Nominal Run Current Maximum (Amps)	0.9	0.5
Nominal Start Current Maximum (Amps)	1.2	0.6
Power Consumption (Watts)	70	70
Weight (lb./kg)	6/2.7	6/2.7
2NB3500 Models		
Catalog Numbers	2NB3500115	2NB3500230
Free Airflow (CFM/M ³ /hr.)	300/510	300/510
RPM	3050	3050
Nominal Run Current Maximum (Amps)	1.8	0.9
Nominal Start Current Maximum (Amps)	2.5	1.3
Power Consumption (Watts)	125	125
Weight (lb./kg)	8/3.6	8/3.6
2NB412 Models		
Catalog Numbers	2NB412115	2NB412230
Free Airflow (CFM/M ³ /hr.)	360/612	360/612
RPM	3000	3000
Nominal Run Current Maximum (Amps)	1.6	0.8
Nominal Start Current Maximum (Amps)	4	2
Power Consumption (Watts)	225	225
Weight (lb./kg)	9/4.1	9/4.1
2NB424 Models		
Catalog Numbers	2NB424115	2NB424230
Free Airflow (CFM/M ³ /hr.)	595/1011	595/1011
RPM	3100	3100
Nominal Run Current Maximum (Amps)	4	2
Nominal Start Current Maximum (Amps)	6.8	3.5
Power Consumption (Watts)	400	400
Weight (lb./kg)	12/5.4	12/5.4
2NB512 Models		
Catalog Numbers	2NB512115	2NB512230
Free Airflow (CFM/M ³ /hr.)	500/850	500/850
RPM	1700	1700
Nominal Run Current Maximum (Amps)	1.5	0.8
Nominal Start Current Maximum (Amps)	3.5	1.7
Power Consumption (Watts)	130	130
Weight (lb./kg)	14/6.3	14/6.3

 Design Data **2NB Models**

CATALOG NUMBERS	A	B	C	D	F	G	H	I	J	K	L	M	HD
	in/mm	in/mm	in/mm	in/mm	in/mm	in/mm	in/mm	in/mm	in/mm	in/mm	in/mm	in/mm	in/mm
2NB300XXX	5.19/132	5.25/133	2.19/56	2.50/64	.28/7	.43/11	2.13/54	2.63/67	.22/6	.42/11	3.87/98	8.69/221	.25/6
2NB3500XXX	5.57/141	5.07/129	2.00/51	2.75/70	.38/10	.78/20	4.37/111	5.25/133	.38/10	.50/13	3.00/76	13.80/350	.22/6
2NB412XXX	6.73/171	6.37/162	2.59/66	2.53/64	.38/10	- / -	3.22/82	4.03/102	.27/7	.68/17	3.31/84	10.62/270	.28/7
2NB424XXX	8.06/205	7.00/178	3.13/80	3.25/83	.63/16	.13/3	3.50/89	4.13/105	.69/18	1.12/28	3.63/92	11.25/286	.25/6
2NB512XXX	8.06/205	7.75/197	3.44/87	4.06/103	.31/8	.63/16	3.66/93	4.25/108	.31/8	.63/16	3.63/92	11.56/294	.28/7

2NB Models



89081797

Performance Curves 2NB Models

