

OUTDOOR FILTER FAN AND EXHAUST PACKAGE



INDUSTRY STANDARDS

cURus Type 12; File No. E234324

NEMA Type 3R
IEC/EN60529, IP55
CE

FEATURES

- Ball bearing axial fan, service life minimum 50,000 hours at 77 F (25 C) and 65 percent RH
- Airflow 11.8 CFM (20 cubic meters/hour) free blowing
- High-impact plastic is highly weatherproof and resistant to UV light
- Removable F5 filter
- Lockable door in hood
- Two-sided tape provided
- Filter hood permanently fixed to enclosure from inside

- 2 lead wires, 3.94-in. (100-mm) long, with pressure clamps, 14 gauge max. (2.5 mm)
- Synthetic filter material, temperature resistant to 212 F (100 C), self-extinguishing class F1, moisture resistant to 100 percent RH
- Filter mat: Fine grade F5 to DIN EN779 filtering degree: 98 percent of particles larger than 10 µm (10 microns)

SPECIFICATIONS

- Aluminum fan body, plastic impeller

FINISH

- Light gray plastic, UL94H-B

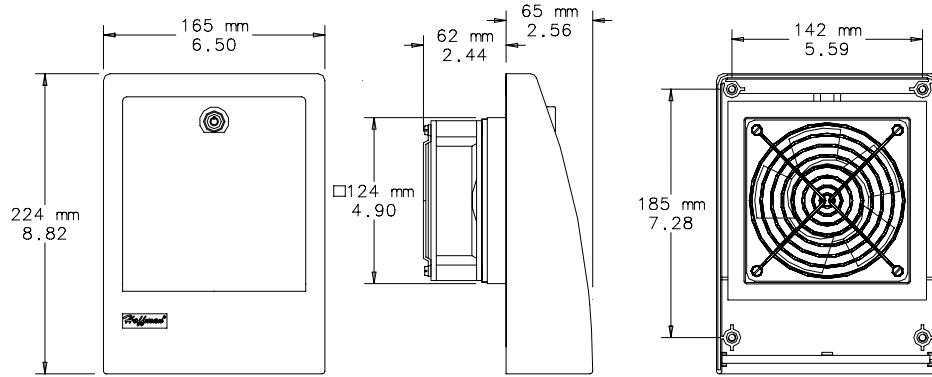
ACCESSORIES

This fan package meets basic requirements for outdoor or indoor applications that require warm air dissipation.

Performance Data Outdoor Filter Fan

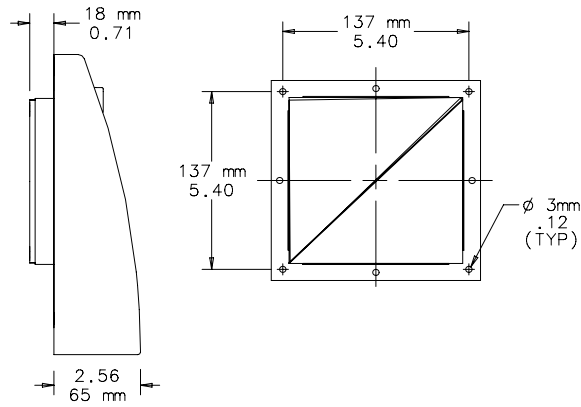
ELECTRICAL DATA	
Rated Voltage	120 VAC
Frequency (Hz)	60
Full Load (Amps)	0.3
FILTER FAN	
Catalog Number	AOFF118
UNIT CONSTRUCTION	
External Mounting Depth (in./mm)	2.56/65
Internal Mounting Depth (in./mm)	2.44/62
Enclosure Cutout (in./mm)	4.92 x 4.92 / 125 x 125
EXHAUST GRILLE	
Catalog Number	AOEFG118
ACCESSORIES	
Replacement Filters:	
Catalog Number	AOFILTER
Description	Filter Mat, F5 (3 per package)
Filter Size (in./mm)	4.80 x 4.80 / 122 x 122

Outdoor Filter Fan and Exhaust Package



87921431

FILTER FAN



EXHAUST FILTER

MOUNTING FRAME